



Application Overview Packaging Industry



Your first choice in digital cutting.



Design and sample production fast, efficient... top quality



Samples or production... Zünd cutters always produce top quality! Looking for a solution that is perfectly tailored to your packaging application? Look no further... Every Zünd cutting and creasing tool has been industry-proven for all commonly used packaging materials. Convert your ideas into reality, and present your customers with proposed designs in seconds! Minimal setup allows you to react quickly and effectively to any subsequent changes. Your customers will be thrilled!



Solid board

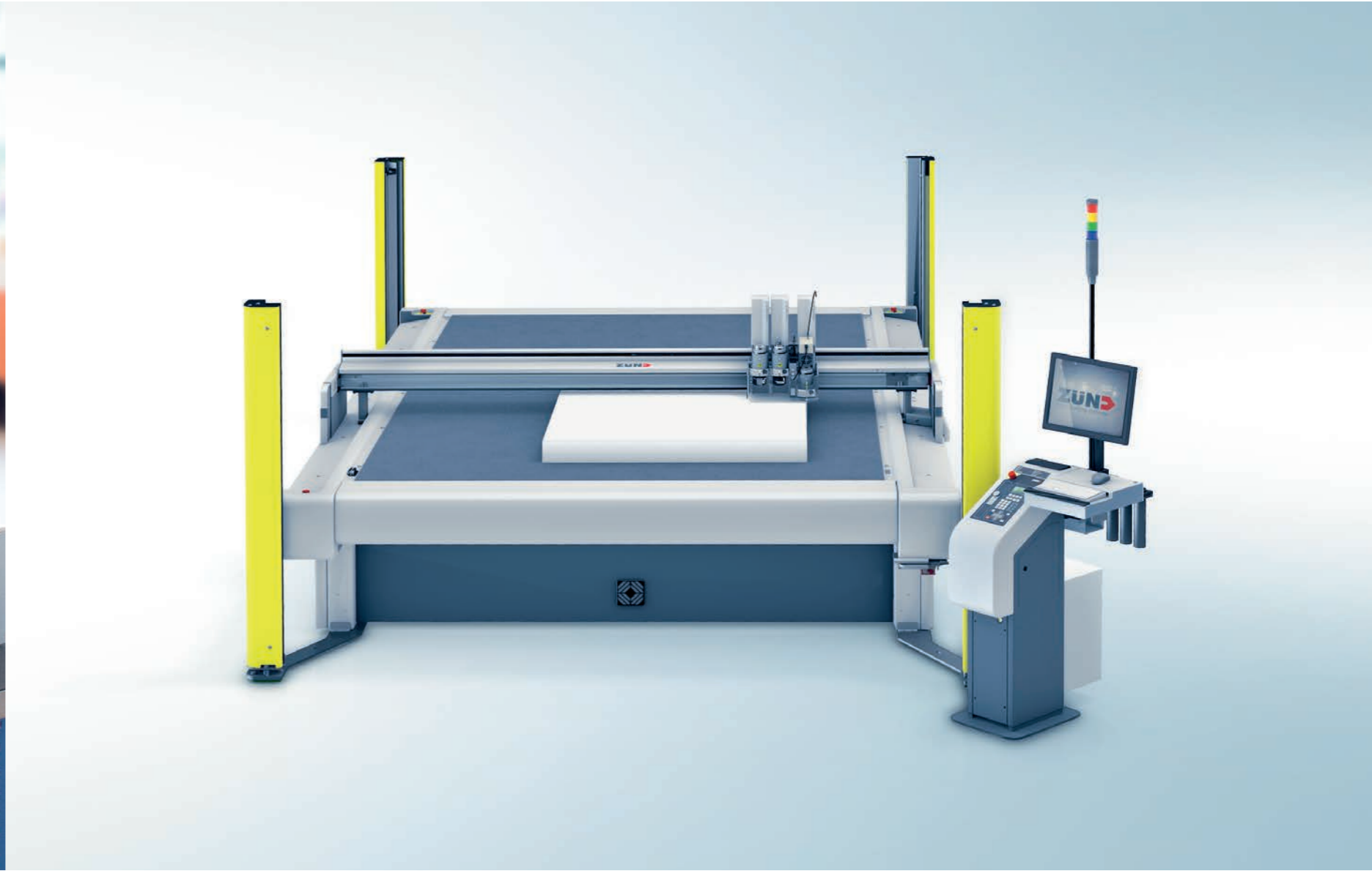
Polypropylene



Solid board packaging

Polypropylene packaging

The system... for perfect packaging



The possibilities of Zünd cutters are endless: depending on size and model, you can process up to 3.2 m / 10 ft wide corrugated cardboard on the same machine that will cut 110 mm / 4.3 in packaging foam. High-performance tools crease and cut all commonly used packaging materials at quality levels that will blow away the competition. Zünd cutters let you complete all steps required in packaging production on one machine!



Corrugated cardboard



Foam

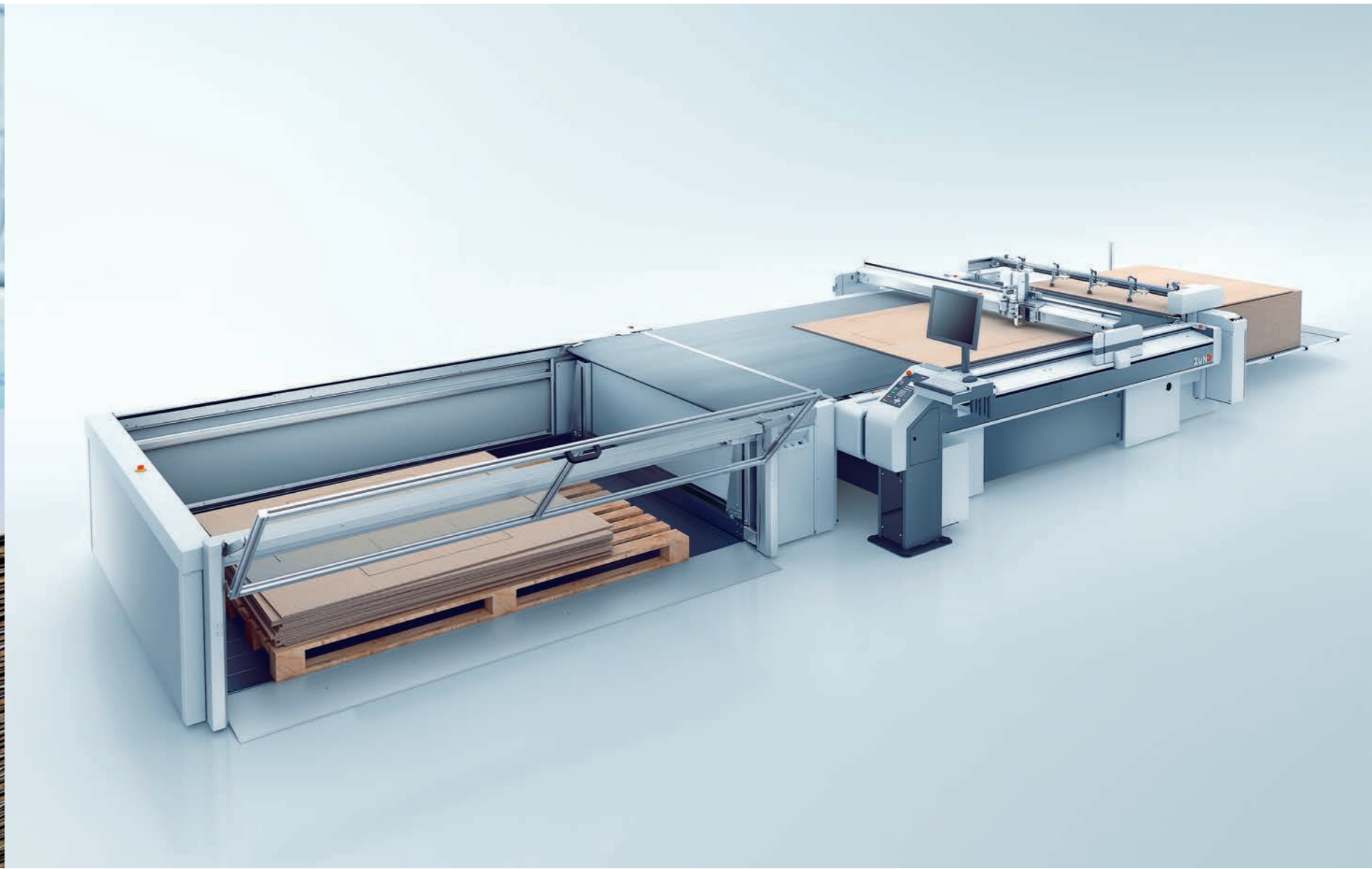


System packaging



Packing foam

Production runs... perfectly automated



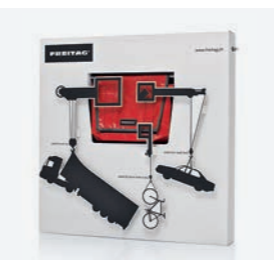
Custom production is a given in digital printing. Fully automated finishing with the Zünd Board Handling System represents the logical next step in a highly productive digital production workflow. Short or long runs, expect top quality at all levels in a die-less process with minimal personnel requirements.



Display



bedruckte
Corrugated cardboard



Hanging display



Unprinted
Corrugated cardboard



Design object



Softfoam display

Zünd a safe investment for the future

The Zünd product palette lets you pick and choose just the right combination of tools and material-handling options – both initially and later on, as easy, cost-effective upgrades. Zünd G3 and S3 provide you with the kind of uncompromising flexibility that will allow your cutting system to grow right along with your needs.

Regardless of the configuration you purchase today, a Zünd cutting system will always prove to be a safe investment for the future!



06/2014

Headquarters
Zünd Systemtechnik AG
Industriestrasse 8
CH-9450 Altstätten
T +41 71 757 81 00
F +41 71 757 81 11
info@zund.com
www.zund.com

ZÜND
swiss cutting systems